

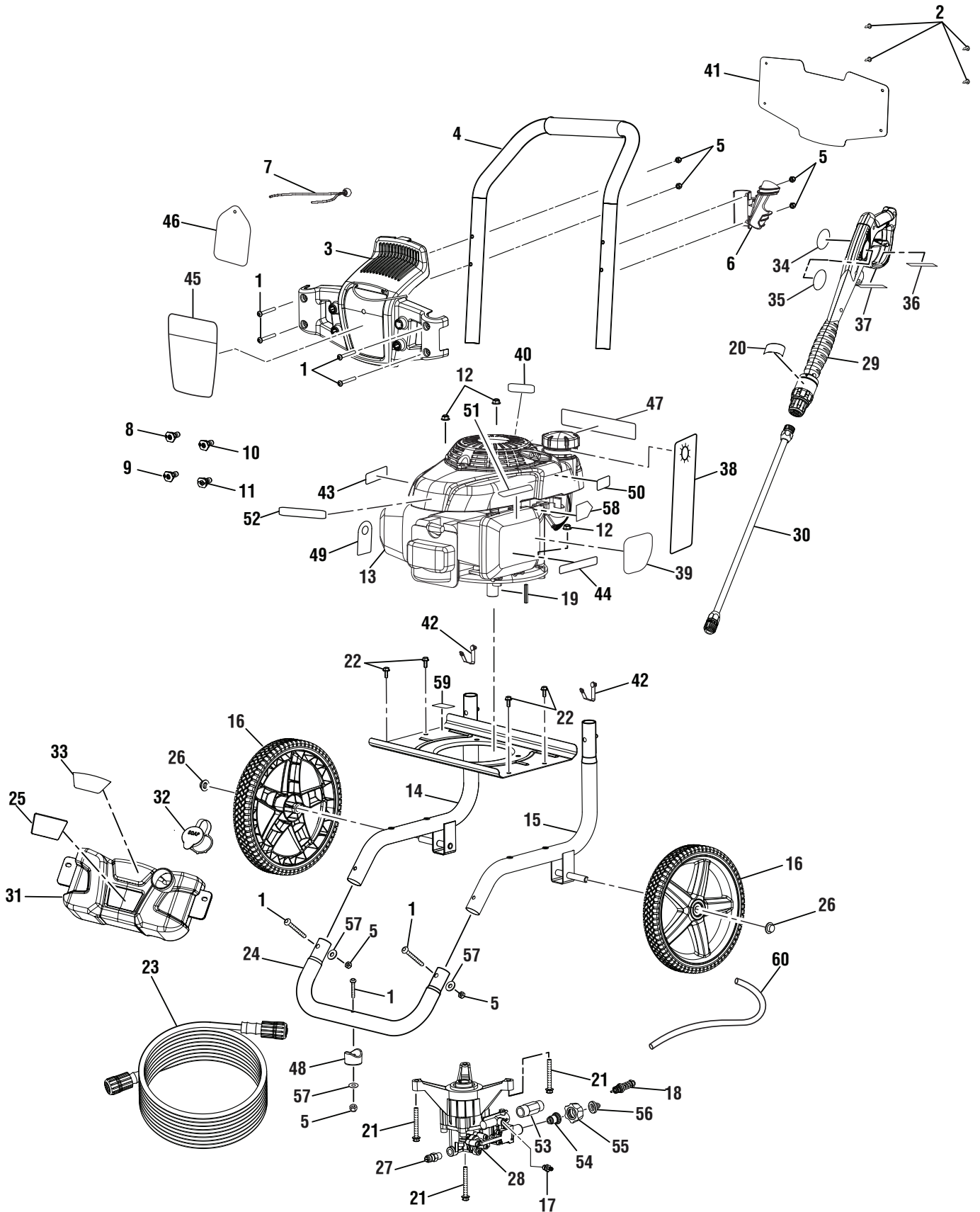


**Pressure Washer
Manufacturing No. 090079273
Item No. RY802800
Replacement Parts List**

TECHTRONIC INDUSTRIES POWER EQUIPMENT

1428 Pearman Dairy Road, Anderson, SC 29625 USA
1-800-860-4050 • www.ryobitools.com

RYOBI PRESSURE WASHER MODEL NO. RY802800



RYOBI PRESSURE WASHER MODEL NO. RY802800

The model number will be found on a label attached to the engine plate. Always mention the model number in all correspondence regarding your **PRESSURE WASHER** or when ordering replacement parts.

| KEY PART NO. NUMBER | DESCRIPTION | QTY | KEY PART NO. NUMBER | DESCRIPTION | QTY |
|------------------------|--|-----|------------------------|---|-----|
| 1 | 661503015 Screw (M6 x 48 mm, T30 Torx Hd.)..... | 7 | 31 | 580875015 Soap Tank | 1 |
| 2 | 660923016 Screw (#6-20)..... | 4 | 32 | 310650004 Soap Tank Cap..... | 1 |
| 3 | 310673006 Hose and Nozzle Holder (Inc. Key No. 7)..... | 1 | 33 | 941608012 Powered By Honda Label | 1 |
| 4 | 308638042 Handle w/Foam..... | 1 | 34 | 940786035 Trigger Handle Logo Label..... | 1 |
| 5 | 678610006 Lock Nut (M6)..... | 7 | 35 | 940654084 Trigger Handle Warning Label (Eng).... | 1 |
| 6 | 519313009 Wand Holder | 1 | 36 | 940654228 Trigger Handle Warning Label (Fr/Sp) .. | 1 |
| 7 | 310664001 Bungee Cord Assembly | 1 | 37 | 940786020 Trigger Handle Rating Label..... | 1 |
| 8 | 308700030 40° Nozzle | 1 | 38 | 940473012 Danger Hangtag..... | 1 |
| 9 | 308706011 Soap Nozzle | 1 | 39 | 940698019 Engine Control Label..... | 1 |
| 10 | 308699029 25° Nozzle..... | 1 | 40 | 940947010 Combustion Label..... | 1 |
| 11 | 308697029 0° Nozzle | 1 | 41 | 524408007 Quick Start Panel | 1 |
| 12 | 678774002 Flange Nut (M8 x 1.25)..... | 3 | 42 | 308421004 Lock Button w/Spring Clip..... | 2 |
| 13 | Note A Engine (Honda GCV 160, 160cc OHC Vertical)..... | 1 | 43 | 940680027 Hot Surface Label | 1 |
| 14 | 310703012 Main Frame Assembly (Left, Inc. Key No. 42)..... | 1 | 44 | 940803018 EMC Label..... | 1 |
| 15 | 310704013 Main Frame Assembly (Right, Inc. Key No. 42) | 1 | 45 | 940779143 Performance Label | 1 |
| 16 | 308451053 Wheel | 2 | 46 | 961039005 Nozzle Hangtag..... | 1 |
| 17 | 308452002 Detergent Suction Kit..... | 1 | 47 | 940894012 Danger Label..... | 1 |
| 18 | 310924003 Pump Unloader Valve..... | 1 | 48 | 570554002 Wear Pad..... | 1 |
| 19 | 678041007 Output Shaft Key (40 mm)..... | 1 | 49 | 961454001 Dipstick Hangtag..... | 1 |
| 20 | 941743004 Trigger Handle Power Control Label | 1 | 50 | 940872003 No E85 Label..... | 1 |
| 21 | 660962003 Bolt (M8 x 60 mm, Flange Hd.) | 3 | 51 | 941486008 Inquiries Label | 1 |
| 22 | 661505020 Bolt (M6 x 16 mm)..... | 4 | 52 | 941714004 Honda Brand Label | 1 |
| 23 | 308835006 Hose (25 ft.)..... | 1 | 53 | 308862003 Outlet Tube..... | 1 |
| 24 | 310742011 Front Frame(Inc. Key Nos. 1, 5, 48 & 57) | 1 | 54 | 642058001 Spindle | 1 |
| 25 | 941608011 Soap Label | 1 | 55 | 310993003 Collar | 1 |
| 26 | 679957001 Push Cap Nut (1/2 in.)..... | 2 | 56 | 308662001 Filter Screen (Pump Inlet)..... | 1 |
| 27 | 678169004 Thermal Release Valve | 1 | 57 | 638128004 Washer (1/4 in.) | 3 |
| 28 | 308653052 Pump (Inc. Keys Nos 17-18 & 53-56)... | 1 | 58 | 941550005 Engine On/Off Label..... | 1 |
| 29 | 308760054 Trigger Handle Assembly (Inc. Keys Nos. 20 & 35-37) | 1 | 59 | 940871002 Oil Fill Location Label..... | 1 |
| 30 | 308506006 Extension Wand | 1 | 60 | 570728007 Chemical Siphon Tube | 1 |
| | | | Not Shown: | | |
| | | | 991000295 | Operator's Manual | |
| | | | 991000296 | Quick Start Guide | |
| | | | 900333015 | Wire Tie | |
| | | | 519314001 | Funnel | |

NOTE A: OWT Industries, Inc., will not provide engines as replacement parts. Engines are covered through the engine manufacturer's warranty. Consult the accompanying engine manual or contact our service department for assistance.

TECHTRONIC INDUSTRIES POWER EQUIPMENT

1428 Pearman Dairy Road, Anderson, SC 29625 USA
1-800-860-4050 • www.ryobitools.com